

940H2

EN Manual instruction

SLO Navodila za uporabo

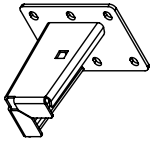
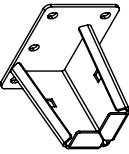



Unior d.d.
Kovaška cesta 10
3214 Zreče, Slovenia
T: +386 3 757 81 00
www.uniortools.com

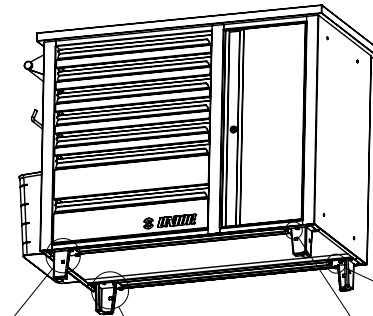
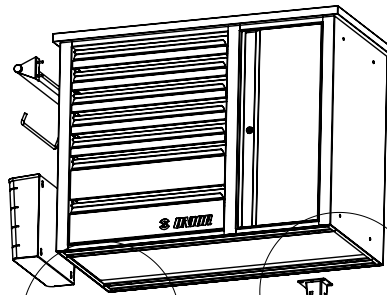


Manual instruction for legs montage on 940H2

940.4

1		left leg - 2 pcs
2		right leg - 2 pcs
3		M6x12 DIN 7500D - 16 pcs

940H2



① 2x
③ 8x

② 2x
③ 8x

