

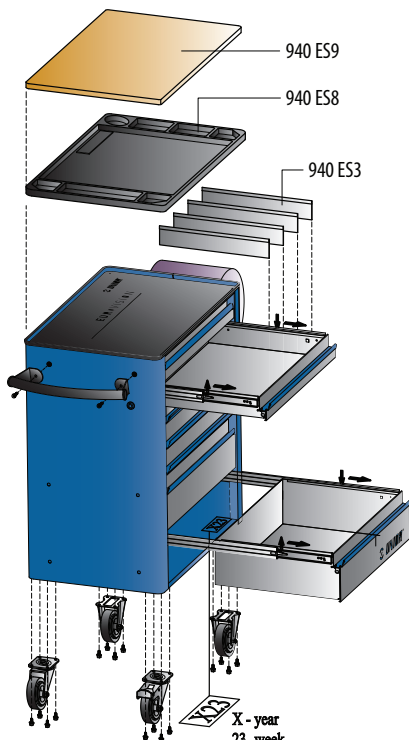
A vertical bar on the left side of the page consists of 16 colored squares stacked vertically. The colors from top to bottom are: light blue, green, red, orange, blue, yellow, light blue, green, red, orange, blue, yellow, light blue, green, red, orange, and blue.

940E...

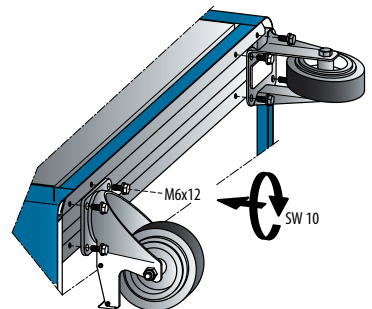
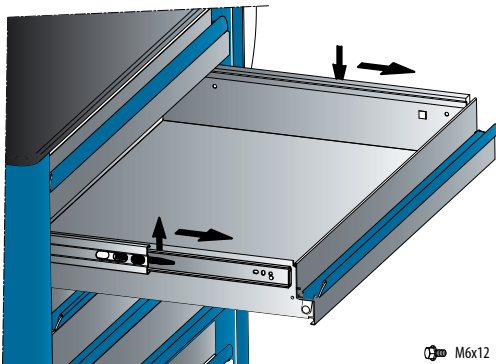
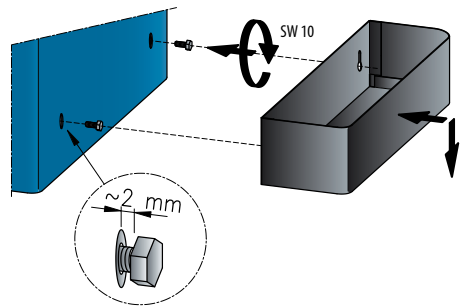
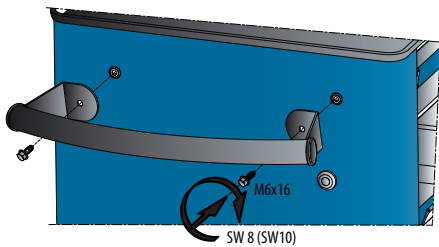
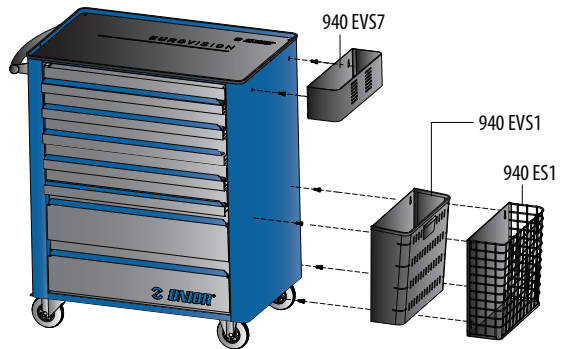
EN Tool carriage Eurovision

SLO Voziček za orodje Eurovision

 **UNIOR**[®]
uniortools.com



	WN26SET - 1x
	R7 - 1x
	M6x12 - 16x
	M6x16 - 2x



M6x12 - 16x
 M6x16 - 4x