

6762.1

EN

Impact screwdriver

SLO

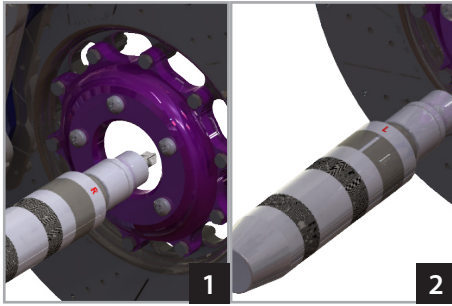
Vijač udarni



Unior d.d.
Kovaška cesta 10
3214 Zreče, Slovenia
T: +386 3 757 81 00
www.uniortools.com

90350010

 **UNIOR**[®]
uniortools.com

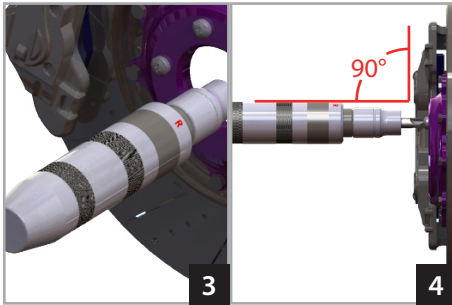


- 1** Move impact screwdriver closer to screw, which we will tighten (R), or loosen (L)

Vijačni nastavek vijačnega udara vstavimo v križno zarezo vijaka, katerega bomo privijali ali odvijali

- 2** L is showing screw loosening.
Oznaka L pomeni levo smer rotacije.

- 3** R is showing screw tightening.
Oznaka R pomeni desno smer rotacije.

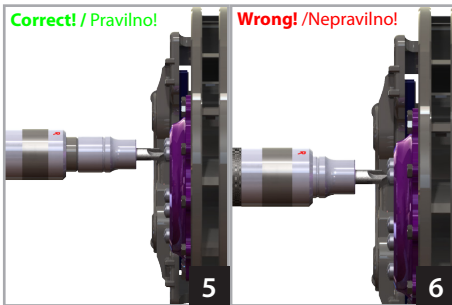


- 4** When tightening or loosening the screw, tool has to be placed in a position perpendicular to the screw!

Pri privinjanju oziroma odvijanju vijaka bodite pozorni da orodje postavite v pravokotni položaj na vijak!

- 5** Move tool closer to screw, and don't press it to final position before use. With hammer strike, tool is automatically extracted and tightening/loosening begins.

Orodje nastavimo na vijak in ga ne pritisnemo v končni položaj pred uporabo. Z udarcem kladiva pride do samodejnega stiska in odvijanja/privinjanja vijaka.



- 6** When the tool is in the compressed position, and we strike it with hammer inner mechanism will get destroyed. Never strike tool with hammer, when the tool is in compressed position!

Ko je orodje v stisnjem položaju, in nanj udarimo s pomočjo kladiva uničimo mehanizem! Nikoli ne udarite po orodju v stisnjem položaju!



- 7** When the tool is properly positioned on the screw, tap the tool holder with hammer. This will trigger mechanism that allows bolt tightening/loosening for approx. 15°.

Ko je orodje pravilno pozicionirano na vijak, s pomočjo kladiva samo na rahlo udarimo po držalu orodja, s tem sprožimo mehanizem ki nam omogoči da vijak odvijemo/privijemo za cca. 15°.