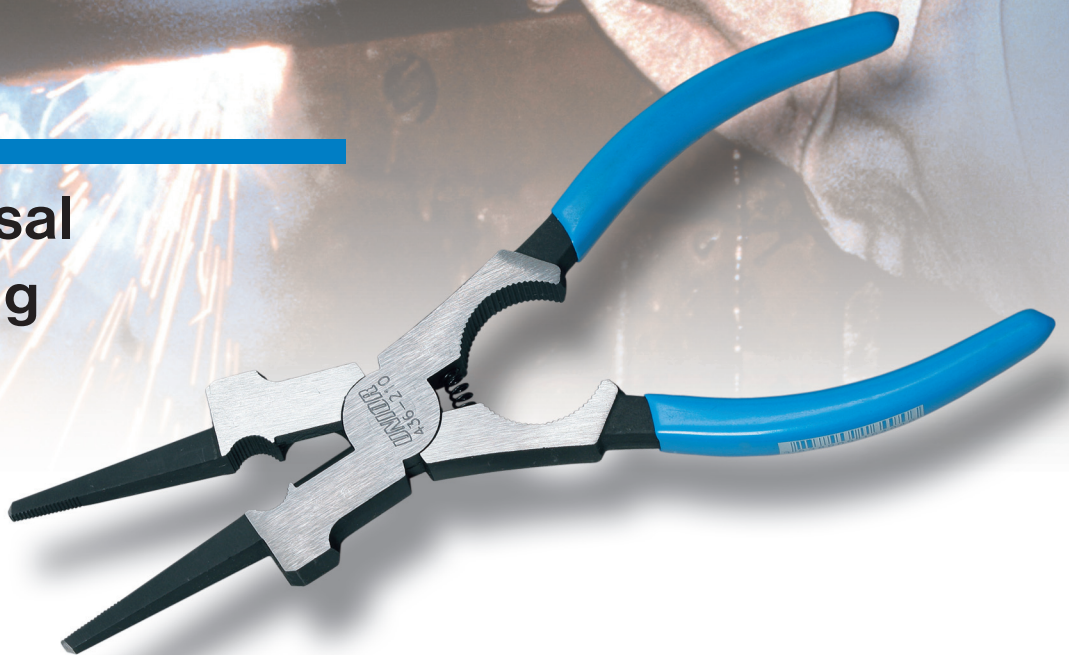


 **UNIOR**[®]

**436 universal
welding
pliers**



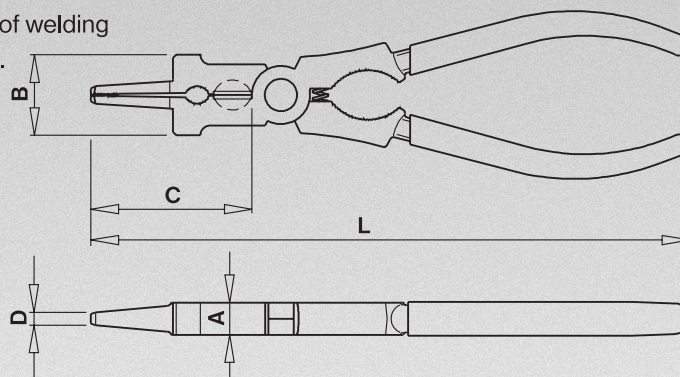
436 universal welding pliers

code	L	B	C	A	D	weight	pack
616493	180	25	50	10	3	190	10
616494	210	34	70	11	3	290	10

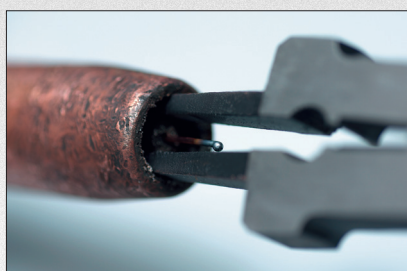
The universal welding pliers are intended for the maintenance of welding guns for arc-welding with protective gas (MAG / MIG welding).

Material: Special composition tools steel

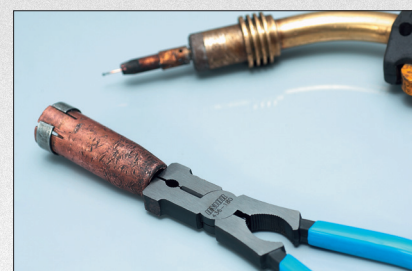
- ▶ entirely hardened and tempered
- ▶ cutting edges induction hardened
- ▶ spring for reopening
- ▶ head ground
- ▶ surface finish: phosphated
- ▶ handles plastic dipped



dirty nozzle



spatter removal from the nozzle end



spatter removal from in and outside the nozzle



clean nozzle



nozzle removal and installation



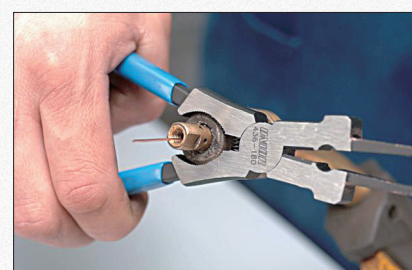
tip removal and installation



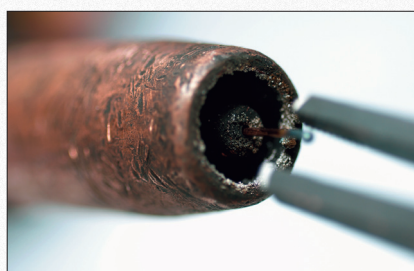
hammering



wire cutting



installation bushing removal and installation



wire pulling out



UNIOR Kovaška industrija d.d.

Kovaška 10, 3214 Zreče

Telefon: +386 3 / 75 78 100

Telefax: +386 3 / 57 62 643

E-mail: sales@unior.si

Internet: <http://www.uniortools.com>