

Unior d.d.  
Kovaška cesta 10  
3214 Zreče, Slovenia  
T: +386 3 757 81 00  
www.uniorbiketools.com

909620105

1693RP

EN

Pro road repair stand, with plate

SLO

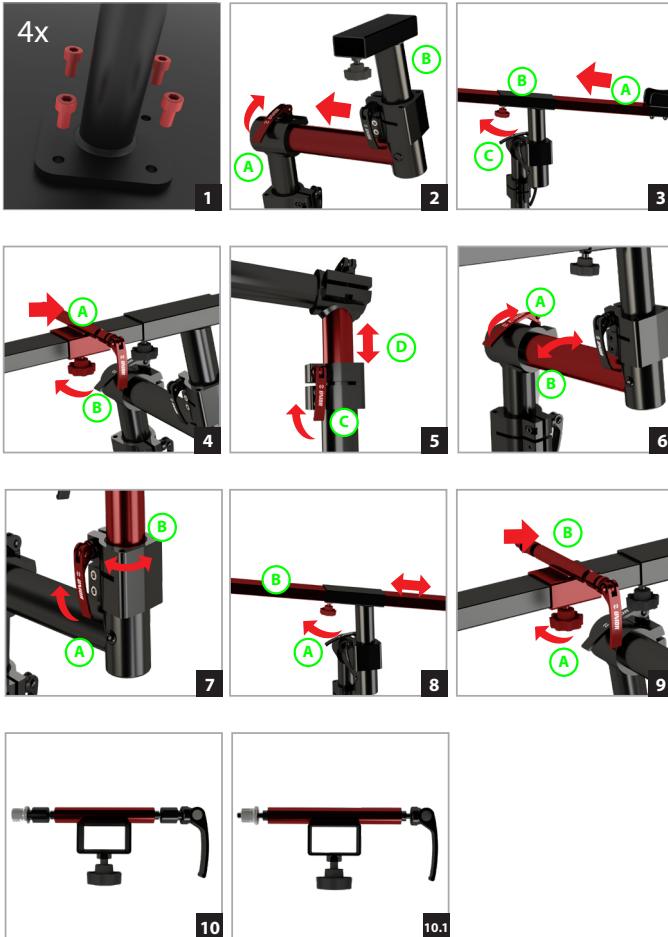
Profesionalno cestno stojalo, s ploščo

 **UNIOR**<sup>®</sup>  
BIKE TOOLS

[uniorbiketools.com](http://uniorbiketools.com)

ENG

SLO

**Pro road stand assembly:**

1. Screw the main frame of repair stand to the fixed plate with screws provided with the stand (1)
2. Open lever on upper sliding tube (2A) and insert T-clamp into it (2B). Secure it in place with closing the lever.
3. Insert the main beam (3A) through beam support (3B). Lock it in place with tightening the knob on beam support (3C)
4. Install the Quick release dropout lock (4A) on main beam and secure it in place with tightening the knob (4B)

**Pro road stand adjustment:**

5. **Adjust bike stand height**  
To adjust the bike stand height release the lever (6C) and adjust the top tube (6D).
6. **Adjust bike stand angle (tilt)**  
To adjust the angle of the main beam, open the lever on top of upper sliding tube (7A) and tilt main beam (7B) in desired direction. Close the lever when the desired angle is reached.
7. **Rotation of the main beam**  
Open lever on T-Clamp (8A) and rotate main beam (8B) to desired position. Close the lever to lock main beam in new position.
8. **Adjusting main beam**  
To adjust beam back and forth loosen the knob under the main beam support (9A) and slide beam (9B) to desired position. Tighten knob to lock the main beam in position.
9. **Adjusting quick release dropout lock**  
To adjust quick release dropout lock back and forth loosen the knob under the quick release fork mount (10A) and slide it to desired position (10B). Tighten knob to lock the quick release fork mount in place.

**10. Quick release dropout lock**

To mount the fork of the bike with quick release system on Pro road stand, adjust the adapters on quick release dropout lock as shown on the picture 11.

**10.1.** To mount the back end of the bike with quick release system on Pro road stand, adjust the adapters on quick release dropout lock as shown on the picture 11.1.

**Navodila za sestavo profesionalnega cestnega stojala:**

1. Privijte ogrodje stojala na fiksno ploščo s priloženimi vijaki (1)
2. Odprite ročico na zgornji drsni cevi (2A) in vstavite t-kas vanjo (2B) ter zaprite ročico, da jo pričvrstite.
3. Vstavite nosilec kolesa (3A) skraj spodnikom nosilca kolesa (3B) in privijte vijak pod spodnikom nosilca kolesa, da ga fiksirate (3C).
4. Namestite adapter za vpenjanje kolesa (4A) na nosilec kolesa in ga pričvrstite s privitjem vijaka pod njim (4B).

**Nastavitve profesionalnega cestnega stojala:**

5. **Nastavitev višine stojala**  
Za nastavljanje višine stojala sprostite ročico (6C) in nastavite zgornjo cev na zeleno višino (6D)
6. **Nastavitev naklona stojala**  
Za nastavljanje naklona nosilca kolesa odprite ročico na vrhu pomične cevi (7A) in nagnite nosilec kolesa (7B) v želeni položaj. Zaklenite nosilec kolesa v želenem položaju z zapiranjem ročice.
7. **Obračanje nosilca kolesa**  
Odprite ročico na t-kasu (8A) in obrnite nosilca kolesa (8B) v želeni položaj. Zaprite ročico, da zaklenete stojalo v novem položaju.
8. **Nastavljanje položaja nosilca kolesa**  
Za nastavljanje nosilca kolesa naprej in nazaj odvijte vijak pod podporo nosilca kolesa (9A) in nastavite nosilec kolesa (9B) v želeni položaj. Privijte vijak, da nosilec kolesa ostane v novo nastavljenem položaju.
9. **Nastavitev položaja adapterja za vpenjanje kolesa**  
Za spreminjanje položaja adapterja za vpenjanje kolesa odvijte vijak pod adapterjem (10A) in ga namestite v želeni položaj (10B) ter privijte vijak.

**10. Nastavitev adapterja za vpenjanje kolesa**

Za vpenjanje vilice cestnega kolesa v stojalo nastavite adapterje, kot prikazuje slika 11.

**10.1.** Za vpenjanje zadnjega dela cestnega kolesa v stojalo adapterje nastavite, kot prikazuje slika 11.1.