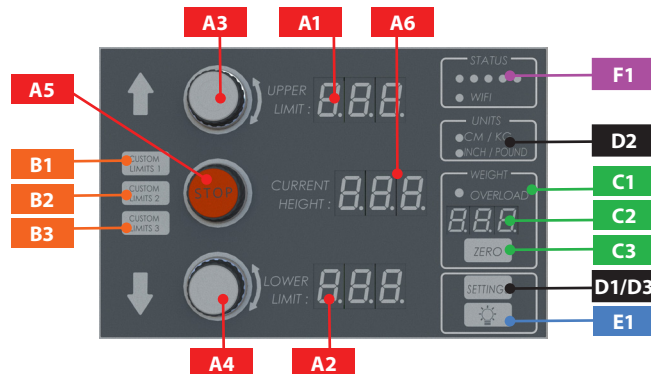


## CONTROL PANEL - DESCRIPTION OF INDIVIDUAL FUNCTIONS



### A) USE OF ROTARY KNOBS

- A1 - Rotate the upper knob to adjust the UPPER LIMIT from 70 cm to 175 cm
- A2 - Rotate the lower knob to adjust the LOWER LIMIT from 55 cm to 170 cm
- A3 - Press the upper knob to move the stand upwards
- A4 - Press the lower knob to move the stand downwards
- A5 - Press the middle STOP button to STOP the stand
- A6 - Display of current height

### B) MEMORY FOR CUSTOM LIMIT ADJUSTMENT

- B1 - Hold the CUSTOM LIMITS 1 button to save the upper and lower limit position 1
- B2 - Hold the CUSTOM LIMITS 2 button to save the upper and lower limit position 2
- B3 - Hold the CUSTOM LIMITS 3 button to save the upper and lower limit position 3

### C) OVERLOAD SYSTEM

- C1 - If attempting to lift more than 70 kg, the OVERLOAD LIGHT will illuminate.
- C2 - The scale is accurate to +- 2 kg and is not intended for precise weighing.
- C3 - Press the ZERO button to reset the scale to 0 kg. ((CAUTION! : THE ZERO BUTTON IS ONLY PRESSED DURING THE SCALE CALIBRATION PROCESS. INSTRUCTIONS FOR SCALE CALIBRATION ARE AVAILABLE VIA QR CODE ON THE TOP OF THE MOTOR COVER))

### D) SETTINGS

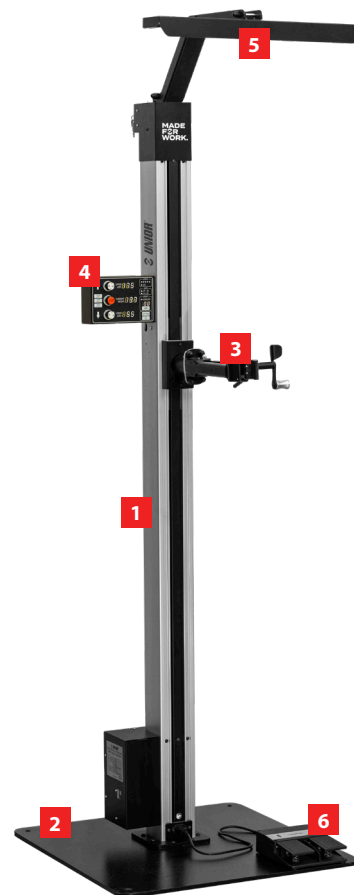
- D1 - Press and hold the SETTINGS button, then rotate the STOP knob to adjust the brightness of the digits on the control panel.
- D2 - With a second press of the SETTINGS button and rotation of the STOP knob, set the units to CM/KG or IN/LB.
- D3 - Press the SETTINGS button a third time to confirm the settings.

### E) LIGHT

- E1 - Press the LIGHT button to turn the LIGHT on or off.

### F) STATUS

- F1 - The option to connect the stand to the user's Wi-Fi provides two capabilities:
  - Remote diagnosis of any faults or issues.
  - Comprehensive analysis of the stand's operation over a period, including the number of cycles, operating hours, load, overloads, etc.



POSITION	NAME	SKU	NUMBER OF PARTS
1	Electric repair stand 2.0 without plate	629761	1
2	Fixed plate for 1693EL	628743	1
3	Master shop repair clamp	629865	1
4	Control panel assembly	909823220	1
5	Light with holder	909823700	1
6	Foot pedal	909823800	1
7	Power cable EU (220V)	/	1
8	Power cable US (120V)	/	1
9	UK plug adapter	/	1
10	Declaration of conformity	/	1
11	Key & spare key	/	1

### Safety Precautions

- The electric bike repair stand 1693EL must be connected to an undamaged and grounded electrical outlet.
- Under no circumstances should the repair stand be used if it is not secured to the floor or base plate.
- Avoid moving parts of the machine during operation.
- Perform maintenance, repairs, and cleaning only when the electric repair stand is turned off, the switch key is removed, and the power cable is disconnected.
- Only authorized personnel should use the electric bike repair stand.
- Only authorized personnel should have access to the switch key.
- Never stand or crawl under a bike suspended on the stand.
- Never reach into the repair stand with your hand or any other object when moving the clamp up or down.
- Never lean on the stand.
- When using the electric repair stand 1693EL, safety equipment required by local regulations must be used. The stand itself does not pose any additional health risks.

### Safety Features of the Electric Bike Repair Stand 1693EL

- The stand has numerous safety sensors.
- Overload protection system, integrated into the scale system. The system is set to the force of 150N downward and 700N upward.
- Clamp arm movement limitation system from a minimum of 55cm to a maximum of 175cm.
- Automatic stopping system when the downward safety system is activated. The automatic safety stop system remains engaged until the stand is unloaded.
- Automatic stopping system when the upward safety system is activated.
- If the controller fails, the stand will operate in a backup mode with a foot pedal. The speed of the stand in backup mode is reduced to 3.4 m/min.

### Installation of Electric Bike Repair Stand 1693EL

- A well-considered design allows for minimal effort during the installation of the electric bike repair stand. Please read and adhere to the following installation requirements:
- The electric bike repair stand is intended for indoor use only.
- Never use the electric bike repair stand outdoors or expose it to weather conditions.
- Do not use the 1693EL electric bike repair stand in wet or humid areas.
- Ensure there is ample space around the bike repair stand for working on the bike. It is recommended to have at least 0.5 m of clearance from the wall around the stand. There should be approximately 1.5 m of space on each side of the stand and about 2 m in front of the stand.
- Keep the work area clean and tidy.

### Securing the electric bike repair stand to the floor:

If electric repair stand 1693EL is secured to the floor, use M12 size screws. The pull-out force should be at least 2000 N (1475 ft-lb). Top of Form

Using the stand with Unior base plate 1693EL.1:

Use the provided screws to attach the electric bike repair stand to the 1693EL.1 base plate, then position it as desired. The base plate has 4 screws, one at each corner, which can be used to level the stand on uneven floors. Adjust the leveling screws accordingly to reduce stand oscillation.

### Power cable

- All electric bike repair stands equipped with an electric motor operating on 90-260 V come with compatible plugs.
- In markets where the provided power cable is not compatible with local outlets, the customer must ensure a compatible power cable is provided by a qualified technician

### Operating the electric bike repair stand 1693EL

- Electric repair stand power On/Off
- connect the power cable to an electrical outlet and to the main power input at the top of the stand.
- Activate the electric bike repair stand by inserting the switch key and turning it clockwise to the ON position.
- Once the switch key is in the ON position, the controller should light up. If the controller does not light up, refer to the troubleshooting section in this manual.
- When the controller is lit up, the stand is ready for use.
- To turn off the electric bike repair stand, turn the switch key to the OFF position.

**WARNING:** During storms, always ensure the power cable is disconnected to prevent damage to the electric bike repair stand.

### 2. Operating the electric bike repair stand:

- To move the clamp arm up or down, press the corresponding button on the controller or use the pedal. Arrows on the buttons/pedal indicate the direction of movement.
- There are two operating modes available:
  - Controller Mode - Press the up/down button to move the clamp arm in the desired direction and stop it when it reaches the limit or end of its travel. You can stop the movement of the clamp arm at any time by pressing the red STOP button.
  - Pedal Mode - Press any pedal to move the clamp arm in the selected direction and it will stop when you press any pedal again.

### 3. Setting the travel limiters:

Travel limiters are a convenient and unique feature of the Unior electric bike repair stand, allowing the clamp arm travel to be adjusted to meet user needs. The controller has two travel limiters, upper and lower.

- Travel limiters are adjusted by rotating the up/down button. Use the upper button to set the upper travel limit and the lower button to set the lower travel limit.

When the clamp arm is moving up or down and the STOP button is not pressed during movement, the clamp arm automatically stops when it reaches the travel limiters.

- If the clamp arm stops due to reaching the travel limiter, it can only be moved in the opposite direction thereafter.
- When the clamp arm reaches the travel limiter and stops, the user can:
  - Adjust the travel limiter further away from the clamp arm if it's not in the highest/lowest position. The clamp arm will stop again when it reaches the limiter.
  - Direct the clamp arm in the opposite direction by pressing the up/down button.
- The upward travel limiter is set for maximum dimensions from 600 mm to 1750 mm.
- The downward travel limiter is set for maximum dimensions from 550 mm to 1700 mm.

### Travel limiters have 3 memory settings.

On the left side of the controller, there are 3 memory buttons used to store preset travel limiters for up/down movements. To save the current set travel limits, hold down the Custom Limit 1, 2, or 3 button for 5 seconds

### Automatic safety stopping system

The Unior electric bike repair stand 1693EL features a built-in safety system designed to ensure the safety of the user, bike, and stand. Integrated sensors will immediately stop the motor if a certain force limit is exceeded while the clamp arm is moving up or down. When the safety system is activated, the clamp arm moves up for safety disengagement. Before lowering the bike to the ground, it is recommended to spin and secure the bike so that both wheels are aligned with the floor. The goal is for both wheels to touch the ground simultaneously.

### 4. Clamping the bike:

- Move the clamp arm to the desired position by operating the 1693EL as explained in step 2. Ensure that the travel limiters are set high enough and low enough so that they do not stop the clamp arm before reaching the desired position.
- The clamp enables 360° rotation.
- To rotate the clamp arm, turn the T-handle on the clamp counterclockwise and rotate the clamp arm to the desired position. To secure the clamp, turn the T-handle clockwise.

### Maintenance

Before performing any maintenance or cleaning on the stand, the power cable must be disconnected.

It is recommended to lightly lubricate the drive chain every 100 hours of use. Use standard dry chain lubricant, applying only a minimal amount.

If there is any play in the clamping mechanism, adjust the wheels on the movable inner part of the stand. Please see detailed instructions on how to perform this. Service and maintenance instructions can be reached via the QR code located on the top of the motor cover. Clean the stand by wiping it with a dry cloth.

## Troubleshooting

Issue	Possible causes	Suggested action
<i>The stand does not respond after pressing the UP or DOWN button</i>	<ul style="list-style-type: none"> <li>the stand is not turned on.</li> <li>the power cable is not properly connected to the stand or the electrical outlet.</li> <li>the control panel is not functioning properly.</li> </ul>	<ul style="list-style-type: none"> <li>Turn on the stand using the key switch.</li> <li>Ensure the power cable is properly connected at both ends.</li> <li>Try operating the stand with the foot pedal.</li> </ul>
<i>The control panel does not light up</i>	<ul style="list-style-type: none"> <li>the control panel is not functioning properly.</li> <li>Power supply is interrupted.</li> <li>The control panel is not properly connected.</li> <li>The reference electronics are not functioning correctly.</li> </ul>	<ul style="list-style-type: none"> <li>Open the rear cover of the control panel and check the connection of both cables. Repair instructions for the control panel are available at <a href="http://uniortools.com">uniortools.com</a>.</li> <li>If the control panel still does not work, it needs to be replaced with a new one. Replacement instructions for the control panel are available at <a href="http://uniortools.com">uniortools.com</a>.</li> <li>Try operating the stand with the foot pedal. The stand will enter backup mode until the control panel is replaced.</li> </ul>
<i>The control panel displays error codes</i>	<ul style="list-style-type: none"> <li>Upper electronics are not functioning correctly.</li> <li>Main electronics are not functioning correctly.</li> <li>Reference electronics are not functioning correctly.</li> <li>Control panel electronics are not functioning correctly.</li> </ul>	<ul style="list-style-type: none"> <li>If the stand enters safety mode, it will operate using the foot pedal until the appropriate part is replaced.</li> <li>Based on the displayed error code, it is necessary to search for the corresponding replacement part on the <a href="http://uniortools.com">uniortools.com</a> website and replace it following the provided instructions.</li> </ul>
<i>The lifting mechanism is noisy</i>	<ul style="list-style-type: none"> <li>Dry chain</li> </ul>	<ul style="list-style-type: none"> <li>Lubricate the chain with a small amount of dry chain lubricant.</li> </ul>
<i>The clamp arm rotates when the bike is clamped or when force is applied to the bike.</i>	<ul style="list-style-type: none"> <li>Clamp clamping bracket is loose</li> </ul>	<ul style="list-style-type: none"> <li>Tighten the T-handle on the clamp clockwise.</li> </ul>
<i>The stand is wobbly.</i>	<ul style="list-style-type: none"> <li>The leveling screws on the fixed plate are not properly adjusted.</li> <li>The stand is not properly secured to the floor.</li> </ul>	<ul style="list-style-type: none"> <li>Adjust the leveling screws on the fixed plate.</li> <li>Use the correct anchoring screws to secure the stand to the floor. Refer to the installation section in this manual.</li> </ul>

For other troubleshooting visit us at <https://uniortools.com/eng/support?ticketType=12>

### MOUNTING THE STAND TO THE PLATE

Issue	Possible causes	Suggested action
1	<ul style="list-style-type: none"> <li>Electric repair stand 2.0 without plate</li> </ul>	1
2	<ul style="list-style-type: none"> <li>Fixed plate for 1693EL</li> </ul>	7
3	<ul style="list-style-type: none"> <li>Screw M8x16</li> </ul>	8

Installation of the Electric Bicycle Repair Stand 2.0 (item 1) with the plate for 1693EL (item 2) using 8 x screws M8x16 (item 3). Refer to Figure 1 and Figure 2.



Figure 1 (Front view)

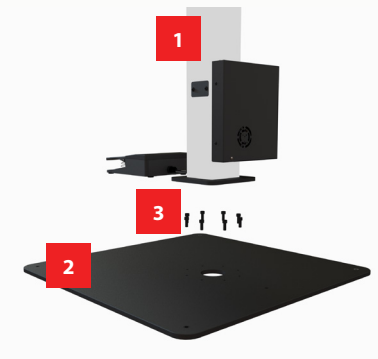


Figure 2 (Rear view)