

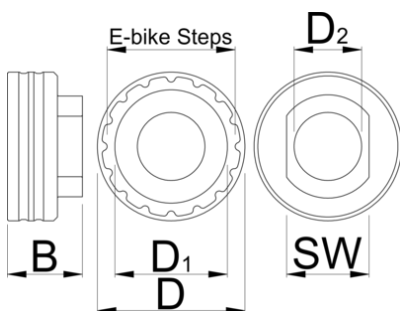
Shimano STEPS lockring tool

1724.SSL



Description produit

- Works with Shimano Steps E6100, E7000, E8000, E9000 , EP8 drive units.
- Replacement for Shimano TL-FC39.
- Made from aluminum, CNC machined, red anodized.
- Being compatible with our 1725/CF Crowfoot and 1/2" drive torque wrench it's designed to work as specified by Shimano.



B

D

SW

D1

D2





B

D

SW

D1

D2



626644

30

59

32

45

25

93

* Les images des produits ne sont pas contractuelles. Toutes les dimensions sont en mm, les poids en grammes.

Utilisation (pictures)

