

Tool tray with foldable arm for 990

h.F990UN

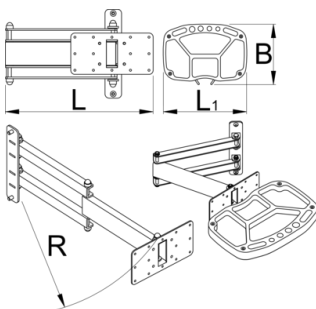


Profiles



Product features

- Foldable tool tray mounts to the Unior work bench support and provides optimal placement of tool tray. Tray will be right where you need it, providing perfect placement for the tools and small parts, thus increasing work productivity. Tool tray can rotate for 90 degrees left or right. Foldable arm is 500 mm long and allows to pull the tool tray closer to you or move it out of work area when not in use. Tool tray is made of thin metal plate and SOS foam tray, with room to hang different tools and open compartments for storage.



L

B

B1

H





L

B

B1

H



625957

325

215

234

65

360.5

622

4300

* Images of products are symbolic. All dimensions are in mm, and weight in grams. All listed dimensions may vary in tolerance.

Usage (pictures)

