

# Laptop holder with foldable arm for 990

h.F990LAP



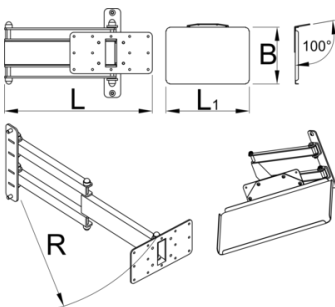
## Profiles

---



## Product features

- Foldable laptop holder mounts to the Unior work bench support and provides optimal placement for laptop. The setup will make work more comfortable and productive as the computer will be right where you need it. Tray is large enough to support laptops up to the size 15" and can rotate for 90 degrees left or right. Foldable arm is 500 mm long and allows to pull the laptop closer to you, or move it out of work area when not in use.





L

L1

B

R



625955

360.5

400

270

520

5800

\* Images of products are symbolic. All dimensions are in mm, and weight in grams. All listed dimensions may vary in tolerance.

## Usage (pictures)

