

# Heavy duty clamp

706



## Atributi proizvoda

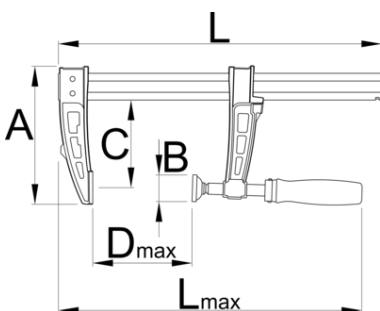
- materijal: Premium poseban alatni čelik
- u cijelosti ojačan i zakaljen
- drvena ručka, lakirana




## Prednosti:

- integrated brake prevents uncontrolled sliding
- maximum clamping force 6000N
- sliding profile serrated
- swiveling cup

## Upotreba:

- for use in carpentry, welding and assebling



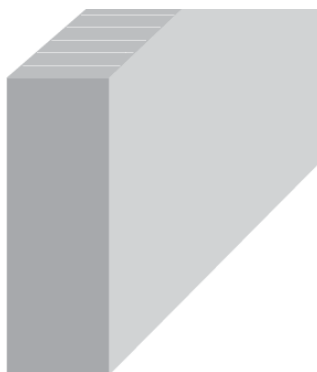
		$D\uparrow$	L	$L\uparrow$	A	C	B	
626283	200	200	323	465	181	136	34	1750
626284	300	300	423	565	181	136	34	1870
626285	400	400	523	665	181	136	34	2090
626286	500	500	623	765	181	136	34	2310
626287	600	600	723	865	181	136	34	2530
626288	1000	1000	1123	1265	181	136	34	3410

\* Slike proizvoda su simbolične. Sve dimenzije su u mm, masa je u g.

## Upotreba (pictures)



Sliding jaw with multiple positioning choices.



High resistance rectangular steel profiled rail, calibrated and serrated. Surface finish: jaws lacquered, rail zinc plated.



Screw with trapezoidal thread: "Less efforts-more clamping force".



Swivel foot



