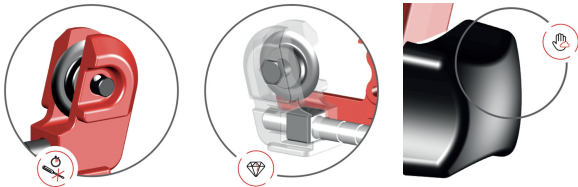


# Rezač cijevi

358/6A



## upotreba

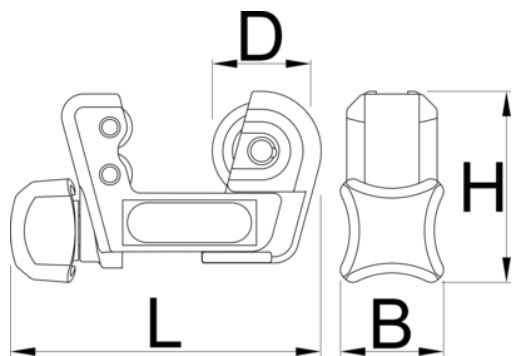


## Atributi proizvoda

- instant wheel change
- ergonomic knob
- extra reduced radius spin
- steel threaded insert for longer life span
- 480/6

## Upotreba

- for cutting cooper, aluminium, inox and steel tube of maximum thickness till 2mm



626181



3 - 16

D"

1/8" - 5/8"

B

34.4

E

19.8

A

18.2

L $\bar{\bar{}}$

62.5



104

## Maloprodajno pakiranje



626181

## Transportno pakiranje



626181

## Rezervni dijelovi



Rezervni nožić