

Pijpsnijder

360/6A

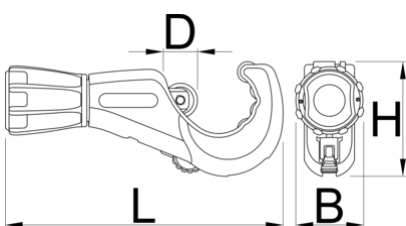


Product attributen

- Designed to be an easy to use and effective way of cutting tubes. Simply place the cutter and engage the cutting wheel at your desired position, rotate tool around the tube while adjusting the cutting wheel using the ergonomic knob.
- instant wheel change
- ergonomic knob
- 4 rollers for a better fastening of the tube and smooth operation
- spare cutting wheel in handle
- possible individual use of burr NOGA removal tool
- steel threaded insert for longer life span

Gebruik:

- for cutting cooper, aluminium, inox and steel tube of maximum thickness till 2mm



B

D

H

L





626187

3 - 35

1/8" - 1.3/8"

41.4

19.8

65.8

160.6

340

* Afbeeldingen van producten zijn symbolisch. Alle afmetingen zijn in mm en gewicht in gram. Alle vermelde afmetingen kunnen variëren in tolerantie.

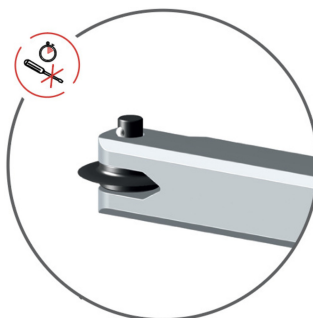
Gebruik (Afbeeldingen)



4 rollers for a better fastening of the tube and smooth operation



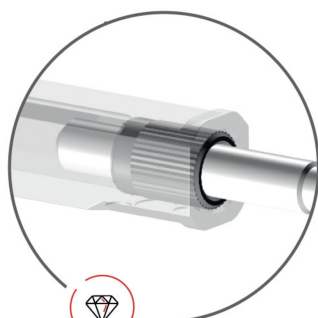
possible individual use of burr NOGA removal tool



instant wheel change



spare cutting wheel in handle



steel threaded insert for longer life span

Onderdelen



Reserve snijwiel

Gerelateerde producten



Pijpsnijder



Pijpsnijder



Pijpsnijder

