

# 切管器

360/6A

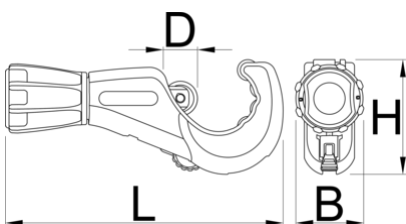


## 产品属性

- Designed to be an easy to use and effective way of cutting tubes. Simply place the cutter and engage the cutting wheel at your desired position, rotate tool around the tube while adjusting the cutting wheel using the ergonomic knob.
- instant wheel change
- ergonomic knob
- 4 rollers for a better fastening of the tube and smooth operation
- spare cutting wheel in handle
- possible individual use of burr NOGA removal tool
- steel threaded insert for longer life span

## 用途:

- for cutting cooper, aluminium, inox and steel tube of maximum thickness till 2mm



B

D

H

L





626187

3 - 35

1/8" - 1.3/8"

41.4

19.8

65.8

160.6

340

\* Images of products are symbolic. All dimensions are in mm, and weight in grams. All listed dimensions may vary in tolerance.

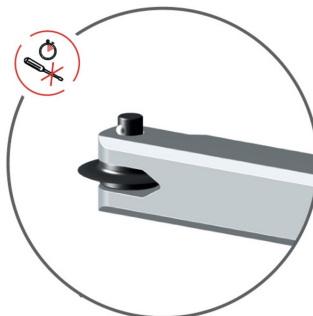
## 用途 (pictures)



4 rollers for a better fastening of the tube and smooth operation



possible individual use of burr NOGA removal tool



instant wheel change



spare cutting wheel in handle



steel threaded insert for longer life span

## 配件



切割轮

## Related products



切管器



切管器



截管器

