

Rezač cijevi

360/6A

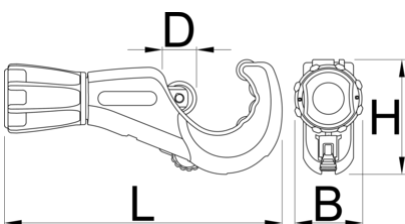


Atributi proizvoda

- Designed to be an easy to use and effective way of cutting tubes. Simply place the cutter and engage the cutting wheel at your desired position, rotate tool around the tube while adjusting the cutting wheel using the ergonomic knob.
- instant wheel change
- ergonomic knob
- 4 rollers for a better fastening of the tube and smooth operation
- spare cutting wheel in handle
- possible individual use of burr NOGA removal tool
- steel threaded insert for longer life span

Upotreba:

- for cutting cooper, aluminium, inox and steel tube of maximum thickness till 2mm



B

D

H

L





626187

3 - 35

1/8" - 1.3/8"

41.4

19.8

65.8

160.6

340

* Slike proizvoda su simbolične. Sve dimenzije su u mm, masa je u g.

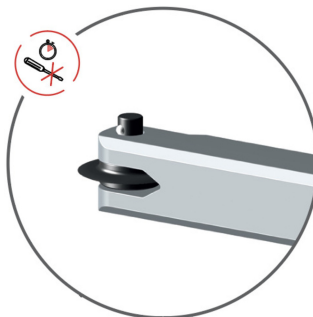
Upotreba (pictures)



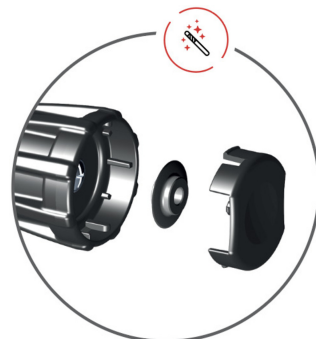
4 rollers for a better fastening of the tube and smooth operation



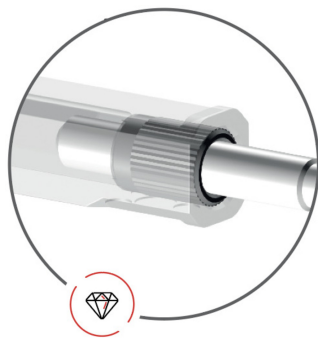
possible individual use of burr NOGA removal tool



instant wheel change



spare cutting wheel in handle



steel threaded insert for longer life span

Rezervni dijelovi



Rezervni nožić

Related products



Rezač cijevi



Rezač cijevi



Rezač cijevi