

切管器

360/6B

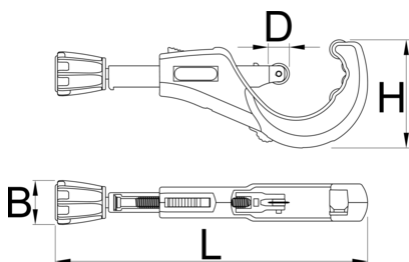


产品属性

- instant wheel change
- ergonomic knob
- 4 rollers for a better fastening of the tube and smooth operation
- spare cutting wheel in handle
- possible individual use of burr NOGA removal tool
- quick-release system

用途:

- for cutting cooper, aluminium, inox and steel tube of maximum thickness till 2mm



626188



6 - 76



1/4" - 3"

B

41.4

D

19.8

H

1018



245



334



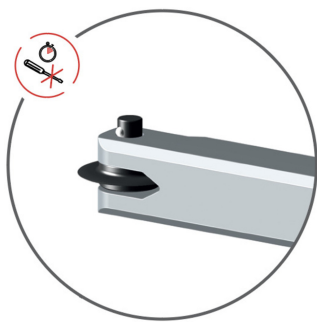
890

* Images of products are symbolic. All dimensions are in mm, and weight in grams. All listed dimensions may vary in tolerance.

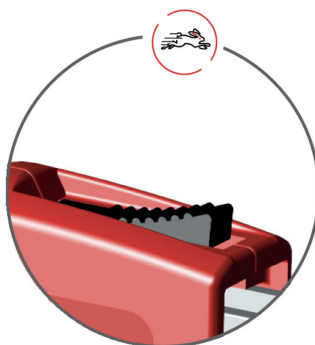
用途 (pictures)



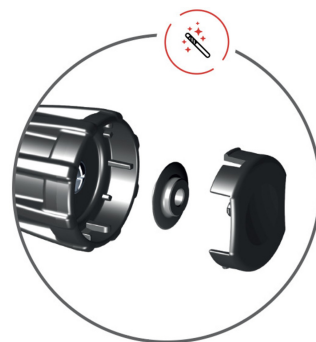
4 rollers for a better fastening of the tube and smooth operation



instant wheel change



quick-release system



spare cutting wheel in handle



possible individual use of burr NOGA removal tool

配件



切割轮

Related products



切管器



切管器



截管器