

# Rezač cijevi

360/6B

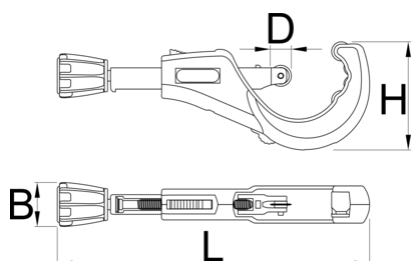


## Atributi proizvoda

- instant wheel change
- ergonomic knob
- 4 rollers for a better fastening of the tube and smooth operation
- spare cutting wheel in handle
- possible individual use of burr NOGA removal tool
- quick-release system

## Upotreba:

- for cutting cooper, aluminium, inox and steel tube of maximum thickness till 2mm



626188



6 - 76



1/4" - 3"

B

41.4

D

19.8

H

1018



245



334



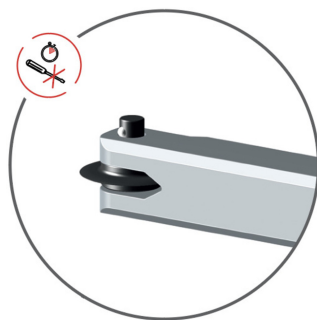
890

\* Slike proizvoda su simbolične. Sve dimenzije su u mm, masa je u g.

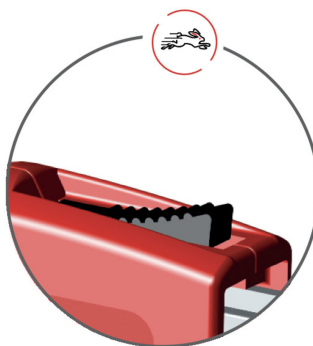
## Upotreba (pictures)



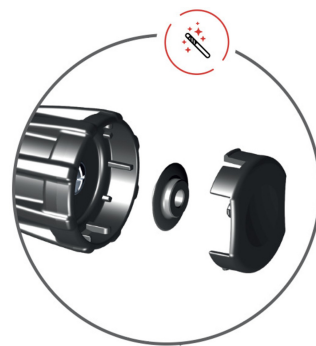
4 rollers for a better fastening of the tube and smooth operation



instant wheel change



quick-release system



spare cutting wheel in handle



possible individual use of burr NOGA removal tool

## Rezervni dijelovi



Rezervni nožić

## Related products



Rezač cijevi



Rezač cijevi



Rezač cijevi