

Tube cutter

360/6B

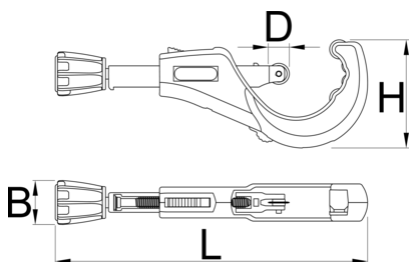


Product features

- instant wheel change
- ergonomic knob
- 4 rollers for a better fastening of the tube and smooth operation
- spare cutting wheel in handle
- possible individual use of burr NOGA removal tool
- quick-release system

Usage:

- for cutting cooper, aluminium, inox and steel tube of maximum thickness till 2mm



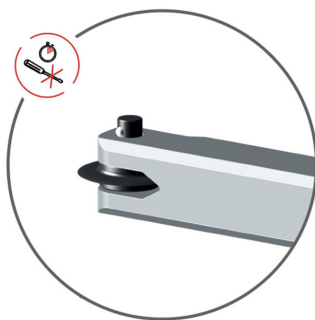
Barcode	mm	"	B	D	H	L↓	L↑	Icon
626188	6 - 76	1/4" - 3"	41.4	19.8	1018	245	334	890

* Images of products are symbolic. All dimensions are in mm, and weight in grams. All listed dimensions may vary in tolerance.

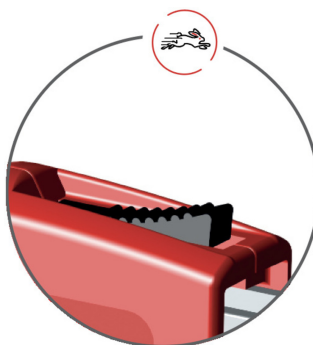
Usage (pictures)



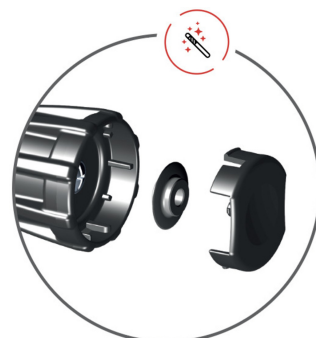
4 rollers for a better fastening of the tube and smooth operation



instant wheel change



quick-release system



spare cutting wheel in handle



possible individual use of burr NOGA removal tool

Spare parts



Cutting wheel

Related products



Tube cutter



Tube cutter



Tube cutter