

Small parts organizer with foldable arm for 1693EL

1693EL.3



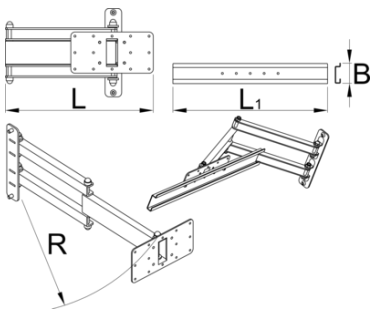
Profielen



Product attributen

Foldable small parts organizer mounts to the Unior's electric repair stand column and provides optimal placement for it. The setup will make work more comfortable and productive as the smaller parts will be right where you need it and you'll not have to turn around to the workbench to access it. Parts organizer can be rotated 90° left or right, foldable arm is 500 mm long and allows to pull the organizer over the bike if needed or fold it out of work area when not in use. Organizer is compatible with all sizes of plastic boxes in our range.

- Plastic boxes are not included with organizer and are sold separately.



L

L1

B

R



629026

360.5

500

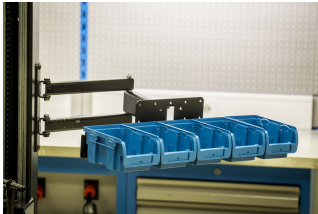
65

520

3910

* Afbeeldingen van producten zijn symbolisch. Alle afmetingen zijn in mm en gewicht in gram. Alle vermelde afmetingen kunnen variëren in tolerantie.

Gebruik (Afbeeldingen)



Accessoires



Kunststof bak, 3 delige set