

Small parts organizer with foldable arm for 1693EL

1693EL.3



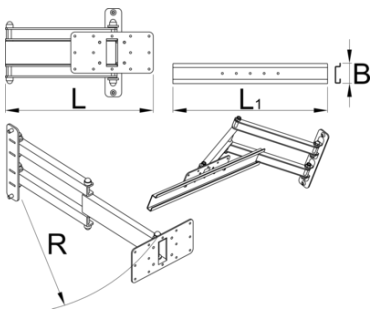
配置文件





产品属性

Foldable small parts organizer mounts to the Unior's electric repair stand column and provides optimal placement for it. The setup will make work more comfortable and productive as the smaller parts will be right where you need it and you'll not have to turn around to the workbench to access it. Parts organizer can be rotated 90° left or right, foldable arm is 500 mm long and allows to pull the organizer over the bike if needed or fold it out of work area when not in use. Organizer is compatible with all sizes of plastic boxes in our range.

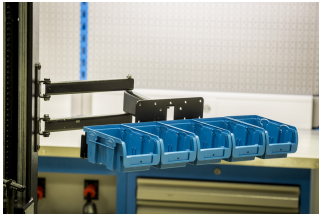
- Plastic boxes are not included with organizer and are sold separately.



	L	L1	B	R	
629026	360.5	500	65	520	3910

* Images of products are symbolic. All dimensions are in mm, and weight in grams. All listed dimensions may vary in tolerance.

用途 (pictures)



Accessories



塑料箱