

# Metal box

981K1/2R

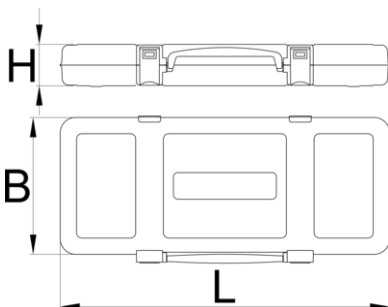


## 프로파일



## 제품 특징

- empty tool box designed for storing and carrying of tools
- material: premium PLUS sheet metal
- coated with eco colour of Qualicoat quality standard
- closing mechanism with integrated handle
- box delivered without tool tray and tools



Nº

L

B

H





Nº

L

B

H



621474

1/2VDE

448

198

54

1489

\* Images of products are symbolic. All dimensions are in mm, and weight in grams. All listed dimensions may vary in tolerance.