

External lock rings pliers, straight, anniversary

532PLUS/1DP-ANNIV.



Profiles



Product attributes

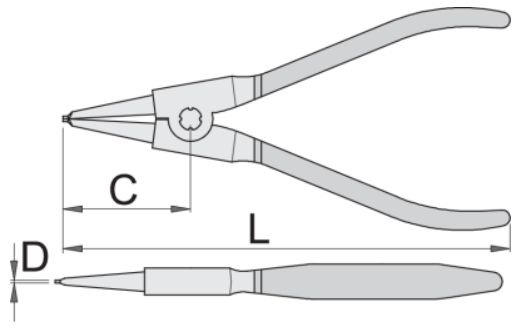
- material: premium plus carbon steel
- drop forged, entirely hardened and tempered
- head polished
- surface finish: chrome plated according to ISO 1456:2009
- tips black finish
- double plastic dipped handles
- made according to standard DIN 5254 form A

Advantages:

- 30% higher endurance in comparison to convenient lock rings pliers
- with inserted tips
- for diameter 3 to 100mm

Usage:

- for fitting circlips on shafts



628400

180

19 - 60

1.8

52

190

Retail packaging



628400

Transport packaging



628400