

# Alat za ravnanje kuke menjača

1602/5

NOVO!



## Profili

---

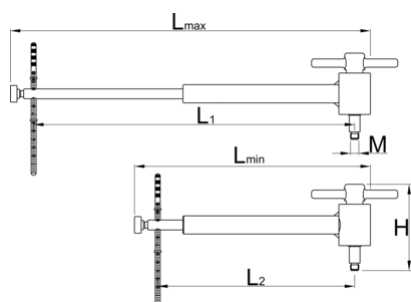


## Opis proizvoda

The Hanger Genie 2.0 screws directly into rear derailleur hanger threads and features a precise measuring gauge that locks in place, ensuring you don't lose your measurement as you adjust the tool against the

wheel in various positions. The rotating bottom part of the tool allows for easy clearance around the frame, making it an essential tool for any bike maintenance kit.

- Compact, foldable and highly accurate tool.
- Fits the bikes with the most common wheel sizes, including 26", 27.5"/650B, and 29"/700.
- Rotating Bottom Part for easy cleanse of the frame and accessories, allowing for seamless work around the wheel.
- Lockable measuring gauge, securely lock measurements in place to maintain accuracy while repositioning.
- Extended thread-in axle, providing additional clearance, perfect for full suspension frames.
- Sealed bearing ensures smooth operation of the thread-in axle and longevity.
- Handy gauge storage clips keep your measuring gauge conveniently stored and protected.



			L1	H	L2	M	L3	
629818	392	250	338	89	189	M10 x 1	168	1250

\* Fotografije proizvoda su simbolične. Sve dimenzije su u mm, a težina u gramima. Sve navedene dimenzije mogu odstupati u granicama tolerancija.