

Pro road repair stand, with plate

1693RP



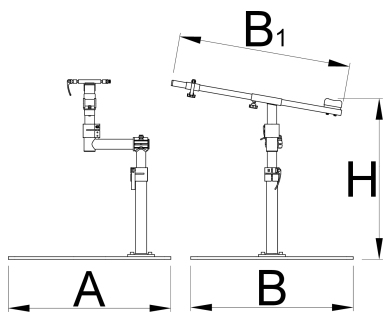
Profili



Atributi proizvoda

- Pro Road Repair Stand with plate is a sophisticated product, developed in cooperation with some of the best World Tour mechanics.
- The stand has a fork mount system and is specially designed to work on bikes, where standard clamping-system is not suitable to use.
- Stand is built from strong aluminum and steel parts and is suitable for workshop use, due to its steel plate, which offers great stability
- The upper assembly is angle adjustable, while the complete stand is adjustable by height.
- The stand is suitable for work on mountain bikes as well.

- The stand can be also upgraded to support bicycles with through axles, with additional through axle adaptor – article number 1693R.2.



Naziv proizvoda	SKU	Članak	Standardi	Količina
Pro road repair stand, with plate	628353	1693RP		2
Ploča za 1693B		1693.4B		1
Pro road repair stand, without plate		1693RP1		1

* Slike proizvoda su simbolične. Sve dimenzije su u mm, masa je u g.

upotreba (pictures)



Accessories



Through axle adaptor for 1693R