

Pro repair stand with single clamp, quick release, without plate

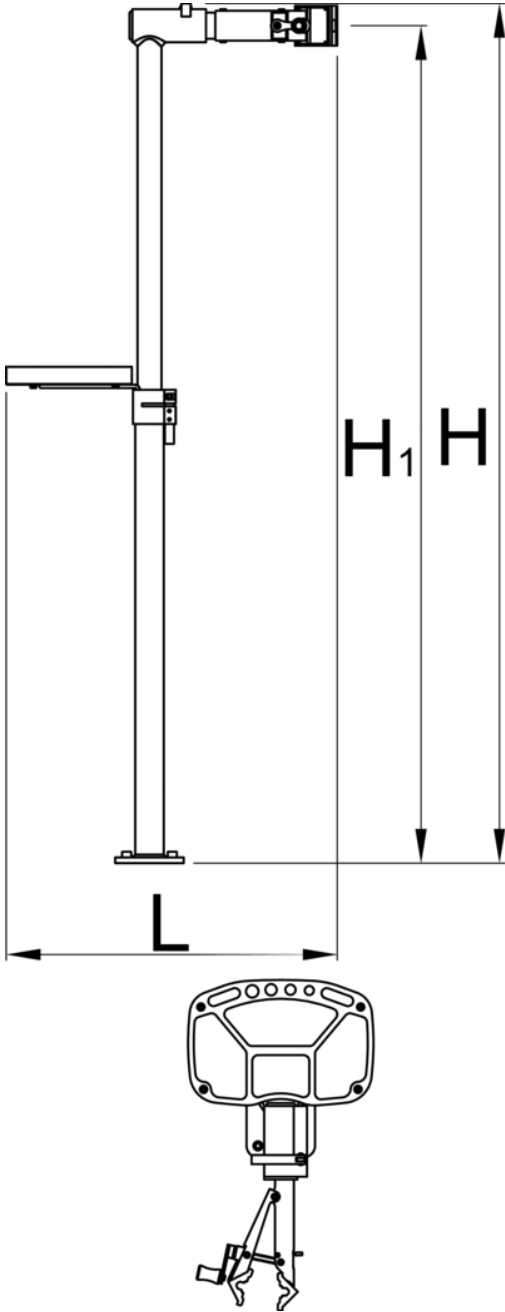
1693BQ1





Product attributes

- Repair bike stand is designed for service workshops and every day use.
- Clamp can grip tubes of any shape, with diameter of minimum Ø22mm to maximum Ø60mm.

- Stand is adjustable by height between 947 and 1570 mm.
- Replaceable rubber jaw covers, item 1693.11
- Repair bike stand 1693B1 and 1693BS1 is designed for floor or ceiling mount.



	H1 min	H1 max	H↑	
627770	985	1570	1570	8000

Retail packaging

	MA	MB	MC	
627770				

Transport packaging



TA

TB

TC



627770

Spare parts



Pro repair stand with single clamp, manually adjustable, without plate