

Tool carriage Eurostyle

940E7



Profiles



[\(/ar/about-us/materials\)](#)

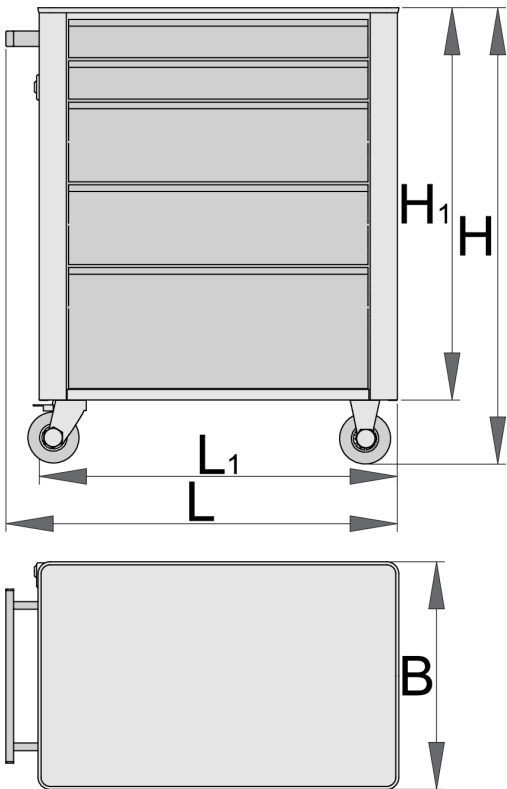


[\(/ar/support/warranty\)](#)

Product features

- material: premium PLUS sheet metal
- central locking system with a lock and folding key
- lock with key included also foam keyring
- oil and acid resistant casters of a diameter of 100 mm, one with brake, which blocks spinning and swiveling of the caster
- full extension drawers with top quality ball-bearing slides
- the synthetic covering protects drawers and tools from damage
- wide range of accessories

- coated with eco colour of Qualicoat quality standard
- 5 drawers (2 x L 560 x W 365 x H 70 mm, 2 x L 560 x W 400 x H 150 mm, 1 x L 560 x W 400 x H 230 mm)
- basic dimensions with handle and casters L 760 x W 440 x H 895 mm
- total volume of drawers: 147 litres
- static load capacity of carriage without casters: 1600kg
- dynamic load capacity of carriages: 300 kg
- maximum capacity of each drawer: 45kg
- drawers compatible with SOS tool trays 1/3, 2/3, 3/3



	L	B	H	L1	H1	
627531	770	440	895	700	768	50500

Retail packaging

	MA	MB	MC	
627531				



TA

TB

TC



627531

Spare parts



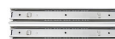
Lock with keys



Small drawer



Big drawer



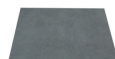
Ball-bearing slide, set of 1 pair



Set of casters



Synthetic covering for the top of carriages 940E



Synthetic covering for drawer D3



Synthetic covering for the drawer D4



Handle for articles 940E