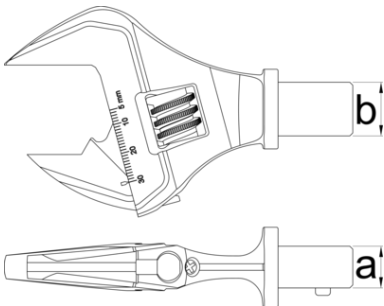


Adjustable wrench insert tool for 266

266INS.2



프로파일



Barcode	Dimensions	Torque (Nm)	Size (axb)	Hex Size (mm)	Weight (g)
628103	9x12 (135Nm)	6,8 - 135	9 x 12	30	265
628104	14x18 (200Nm)	10 - 200	14 x 18	30	302

* Images of products are symbolic. All dimensions are in mm, and weight is in grams. All listed dimensions may vary in tolerance.

관련 제품



Ratchet insert tool for 266



Open ring insert tool for 266