

Pistol de insurubare reversibil cu soc, compact

1563



Profile



Caracteristicile produsului

- viteza de rotatie 8000 rot/min

- Cuplumaxim 745Nm
- Presiune nominala de lucru:6.2bar
- Consum de aer:164l/min
- Racord de aer 1/4"
- Nivel de zgomot 104dB(A)
- Diametrul maxim de cuplare M20

Avantaje:

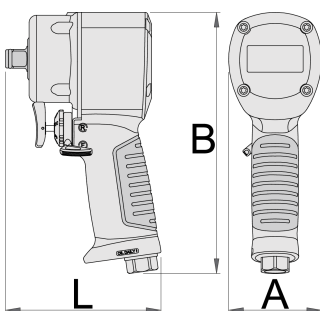
- Carcasa motorului pneumatic din material compozit
- Maner cu amortizor de evacuarea aerului.
- Schimbare de sens cu o singura mana
- Puternic si compact
- mecanism pneumatic de impact cu ciocane mari

Utilizare

- industria auto
- industria aerospatiala
- echipament agricol
- industria grea
- constructia de masini
- industria de constructii navale
- montari individuale

Important

- Folositi intotdeauna capetele chei tubulare de impact UNIOR



		L	A	B		
627568	1/2"	105,4	63	177	745	1329

* Imaginea produsului este simbolica.Toate dimensiunile sunt exprimate în mm,greutatea în grame.

0 (pictures)



Photo (pictures)



Accessories



Cuplaj, partea tata



Cuplaj, partea tata



Cuplaj, partea mama



Cuplaj, partea mama



Filtru regulator si ungator pneumatic 3/8"



Filtru regulator si ungator pneumatic 1/2"



Furtun pneumatic elicoidal

Safety tips



- The pressure in the tool during the operation has to be at least 6.2 bar for the tool to work properly.
- Regularly clean and dry the air filters and inlet air supply.
- Always use clean and dry air with the correct mixture of oil, for maximum tool life.
- Check the joints and ensure that the tubes and other equipment are not damaged before use.
- All tools should be gently oiled prior to being stored.
- Always store pneumatic tools in dry places away from water.
- Always use original spare parts.
- Repairs can be performed only by authorised staff people authorised by Unior d.d.
- Always disconnect tools not in use from the air supply.