

# Udarni odvijač 1/2"

1563



## Profili



## Atributi proizvoda

- 8.000 o/min u slobodnom hodu
- max. obrtni momenat 745 Nm
- preporučeni pritisak vazduha: 6, 2 bara

- potrošnja vazduha 164 l / min
- priključak za zrak: 1/4"
- nivo buke 104dB (A)
- max bolt size M20

#### Prednosti:

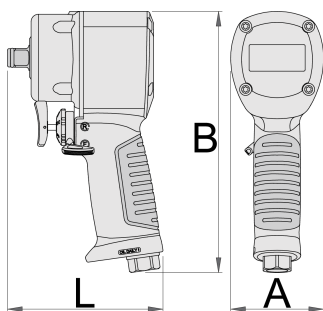
- kompozitno kućište motora
- ručica izduvnih gasova (prigušivač)
- jednu ruku napred / nazad
- kompaktan i moćan
- Udarni mehanizam JUMBO čekić





#### Upotreba:

- automobilska industrija
- avionska industrija
- poljoprivredna mehanizacija
- teška industrija
- veći građevinski strojevi
- brodogradnja
- individualna montaža

#### Važno!

- UVIJEK koristite Uniorove IMPACT nasadne ključeve i pribor



|  |   |       |    |     |   |   |
|--|---|-------|----|-----|---|---|
|  |  | L     | A  | B   |  |  |
| 627568   | 1/2"  | 105,4 | 63 | 177 | 745   | 1329  |

\* Slike proizvoda su simbolične. Sve dimenzije su u mm, masa je u g.

#### Upotreba (pictures)



Photo (pictures)



## Accessories



Spojnica muška



Spojnica muška



Spojnica ženska



Spojnica ženska



Pripremna grupa 3/8"



Pripremna grupa 1/2"



Crijevo spiralno za zrak

## Safety tips



- The pressure in the tool during the operation has to be at least 6.2 bar for the tool to work properly.
- Regularly clean and dry the air filters and inlet air supply.
- Always use clean and dry air with the correct mixture of oil, for maximum tool life.
- Check the joints and ensure that the tubes and other equipment are not damaged before use.
- All tools should be gently oiled prior to being stored.
- Always store pneumatic tools in dry places away from water.
- Always use original spare parts.
- Repairs can be performed only by authorised staff people authorised by Unior d.d.
- Always disconnect tools not in use from the air supply.