

# Stubby impact wrench

1563



## Profiles



## Product features

- free speed 8000 revolution per minutes
- max. torque 745 Nm
- recommended air pressure: 6,2 Bar

- air consumption 164 l/min
- air inlet 1/4"
- noise level 104dB(A)
- max bolt size M20

#### Advantages:

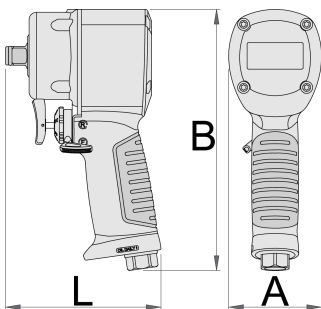
- composite motor housing
- handle exhaust (silencer)
- one hand forward / reverse
- compact and powerful
- jumbo hammer mechanism





#### Usage:

- car industry
- aircraft industry
- agricultural equipment
- heavy industry
- larger construction machinery
- shipbuilding industry
- individual mounting

#### Important!

- Always use Unior IMPACT sockets.



		<b>L</b>	<b>A</b>	<b>B</b>		
627568	1/2"	105,4	63	177	745	1329

\* Images of products are symbolic. All dimensions are in mm, and weight is in grams. All listed dimensions may vary in tolerance.

#### Usage (pictures)



Photo (pictures)



## Accessories



Coupling, male part



Coupling, male part



Coupling, female part



Coupling, female part



Pneumatic filter regulator and lubricator 3/8"



Pneumatic filter regulator and lubricator 1/2"



Spiral pneumatic hose

## Safety tips



- The pressure in the tool during the operation has to be at least 6.2 bar for the tool to work properly.
- Regularly clean and dry the air filters and inlet air supply.
- Always use clean and dry air with the correct mixture of oil, for maximum tool life.
- Check the joints and ensure that the tubes and other equipment are not damaged before use.
- All tools should be gently oiled prior to being stored.
- Always store pneumatic tools in dry places away from water.
- Always use original spare parts.
- Repairs can be performed only by authorised staff people authorised by Unior d.d.
- Always disconnect tools not in use from the air supply.