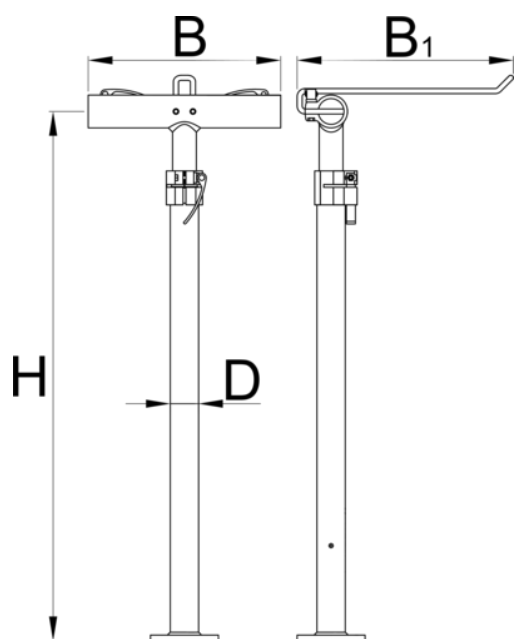


Frame for double clamp pro repair stand, without clamps and plate

1693.5C

Product attributes

- Build your own bike repair stand with 2 clamps. You can choose between 3 different clamps (1693.1, 1693.1S, 1693.1Q), add a fixed plate to the frame (1693.4C) or just fix the frame into the floor.





MA

MB

MC



Transport packaging



TA

TB

TC

