

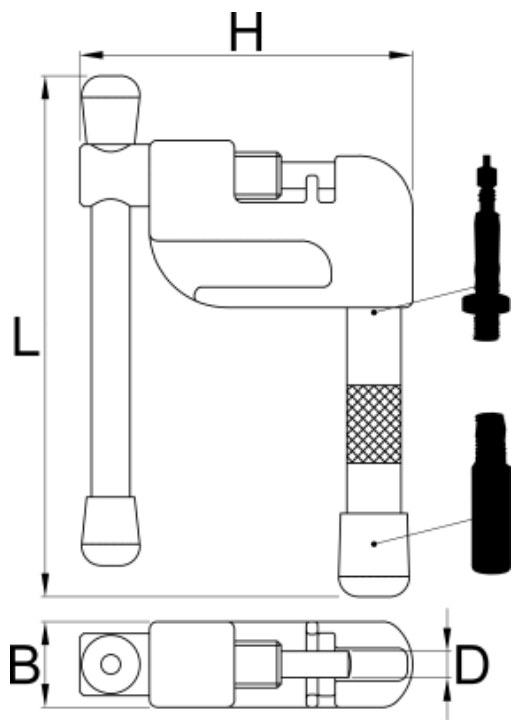
Mini Chain Tool +

1647/5MINI



Product attributes

- Our Mini Chain Tool + is ideal chain tool to take it with you out on the bike. Never mind the riding style or the drive train you use, this chain tool can cover anything from 5 to 11 speed and perform like our professional shop tools. Despite the small design, there is more it can do - its handle doubles in function as a valve core remover for schrader and presta valves.



Barcode	D	B	L	H	Icon
627100	6,8	11	67	43	53

Retail packaging

Barcode	MA	MB	MC	Icon
627100				

Transport packaging

Barcode	Icon	TA	TB	TC	Icon
627100					