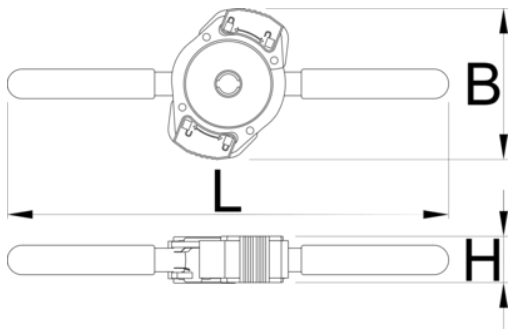


Quick slide handle for 1721

1721.3



626560



160

Retail packaging



626560

MA

MB

MC



Transport packaging



626560



TA

TB

TC

