

Magnetic tray

2086



Usage



Profiles



Product attributes

- Material: stainless steel, corrosion resistant
- keeps parts and tools right where you need them
- holds any small nuts, bolts and steel parts

Advantages:

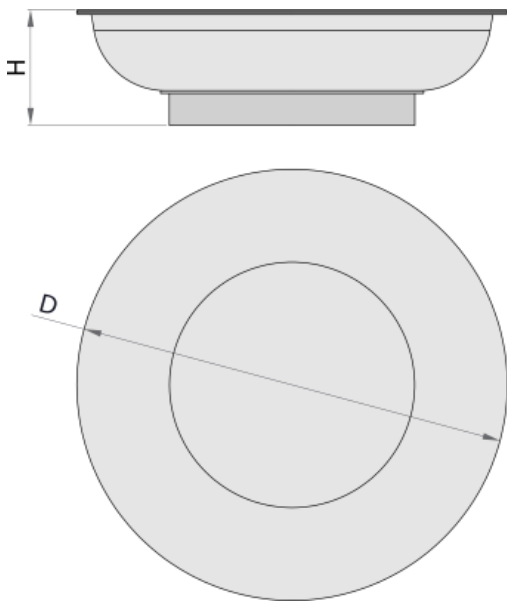
- powerful permanent magnet covers with protective rubber foot
- can be used in any position

How to use the tool:

- With its powerful rubber-protected magnet, this magnetic tray is suitable for practically all industrial applications ranging

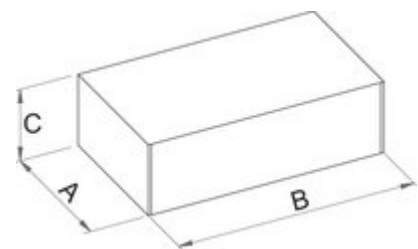
from car repair shops to everywhere where it can be attached to a metal surface. It can be used in all positions - the magnet is so powerful that the tray can even be fitted upside-down. The tray is intended for protecting screws, nuts and the like against being misplaced, and for storing them in a central location to minimise the time needed to find a specific item.

for usage in garage, engine, household work



	D	H		
--	---	---	--	--

619728 150 40 3 387



Retail packaging

	MA	MB	MC	
--	----	----	----	--

619728 165 165 53 457

Transport packaging

		TA	TB	TC	
--	--	----	----	----	--



TA

TB

TC



619728

1