

# Holder for light with console

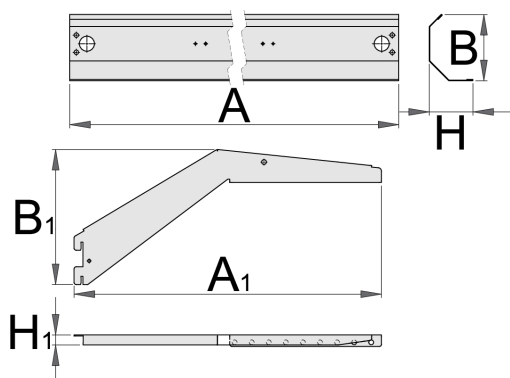
990HL





## Profiles



[\(/eng/support/warranty\)](#).



|  | L    | B   | H    | L1   | B1  | H1 |  |
|--|------|-----|------|------|-----|----|---|
| 625663   | 999  | 121 | 36,5 | 1010 | 132 | 17 | 2151  |
| 625664   | 1249 | 121 | 36,5 | 1250 | 132 | 17 | 2469  |
| 625665   | 1499 | 121 | 36,5 | 1485 | 132 | 17 | 2760  |

## Retail packaging

|  | MA | MB | MC |  |
|--|----|----|----|---|
|  |    |    |    |   |



MA

MB

MC



625663

625664

625665

## Transport packaging



TA

TB

TC



625663

1

1010

132

43

2170

625664

1

1250

132

43

2480

625665

1

1485

132

43

2760