

BikeGator repair stand, manually adjustable

1693AS0



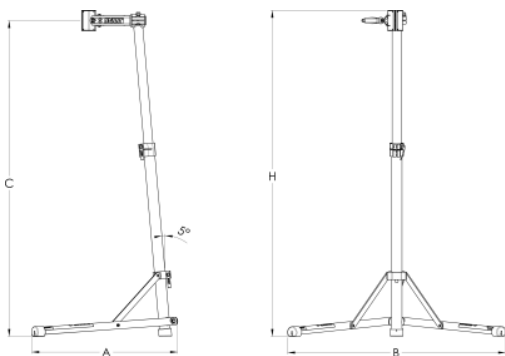
Product attributes

- The Bike Gator! The new generation of Unior 1693A(1693AS) bike stand.
- The bike repair stand is the basic working tool both for service workshops and cycling enthusiasts.

- It is easy to assemble and the support tubes are fold together enabling easier transportation between work place.
- Maximum load capacity is 30kg
- Suitable for tubes with diameter of min. Ø24 mm and max. Ø40 mm.
- Weight of the stand without tool tray is 5.7kg
- Replaceable rubber jaw covers, item 1693.11

Advantages:

- The stand features a new array of precision aluminum and steel parts which offer stiffness and durability.
- NEW Jaw mount and rotation system.
- improved sliding system



Barcode	↓	↑	B	A	H↑	Person
624001	980	1150	870	665	1680	6400

Retail packaging

Barcode	MA	MB	MC	Person
624001	250	1060	135	6380

Transport packaging

Barcode	Hand	TA	TB	TC	Person
624001	1	250	1060	135	6380

Spare parts



Pro repair clamp, manually adjustable



Replaceable rubber covers for clamp 1693.1, 2 pcs set



Adjustable screw for clamp 1693.1 and 1693.1S