

BikeGator repair stand, manually adjustable

1693AS0



Profielen



[./be/support/warranty\).](#)

Product attributen

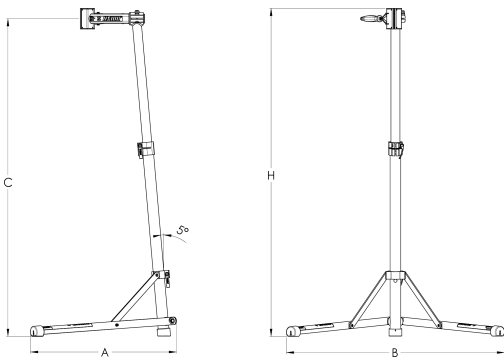
- The Bike Gator! The new generation of Unior 1693A(1693AS) bike stand.
- The bike repair stand is the basic working tool both for service workshops and cycling enthusiasts.
- It is easy to assemble and the support tubes are fold together enabling easier

transportation between work place.

- Maximum load capacity is 30kg
- Suitable for tubes with diameter of min. Ø24 mm and max. Ø40 mm.
- Het gewicht van de standaard zonder gereedschaphouder 5.7kg
- Replaceable rubber jaw covers, item 1693.11

Voordelen:

- The stand features a new array of precision aluminum and steel parts which offer stiffness and durability.
- NEW Jaw mount and rotation system.
- improved sliding system
- Stand is adjustable by height between 980 and 1500mm.



Barcode	Down Arrow	Up Arrow	B	A	H↑	Person Icon
624001	980	1150	870	665	1680	6400

Retail verpakking

Barcode	MA	MB	MC	Person Icon
624001	250	1060	135	6380

Transport verpakking

Barcode	Hand Icon	TA	TB	TC	Person Icon
624001	1	250	1060	135	6380

Onderdelen



Pro repair clamp, manually adjustable



Replaceable rubber covers for clamp 1693.1, 2 pcs set



Adjustable screw for clamp 1693.1 and 1693.1S