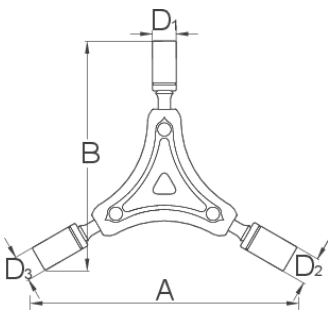


# Three-legged socket wrench

1781/2-US



## Profiles



| Barcode | mm | mm | mm | A   | B  | D1 | D2 | D3 | Weight |
|---------|----|----|----|-----|----|----|----|----|--------|
| 625008  | 8  | 9  | 10 | 108 | 94 | 12 | 13 | 14 | 117    |

\* Images of products are symbolic. All dimensions are in mm, and weight in grams. All listed dimensions may vary in tolerance.

