

用于编号为1693的弹簧夹钳

1693.1-US

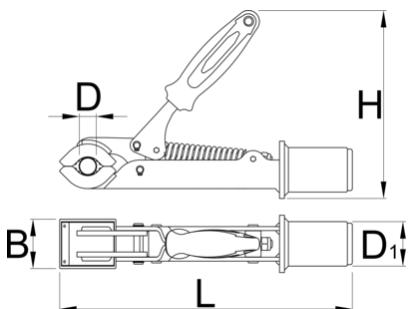


配置文件



产品属性

- 适用于最大直径为 $\text{Ø}32$ mm和最小直径为 $\text{Ø}24$ mm的钢管。



D↓

D↑

B

H

L

D1





D↓

D↑

B

H

L

D1



629233

24

32

50

185

298

45

1562

* Images of products are symbolic. All dimensions are in mm, and weight in grams. All listed dimensions may vary in tolerance.

配件



Replaceable rubber covers for clamp, round, 2 pcs set

Related products



用于编号为1693维修架的带有可调螺母的夹钳



专业店面夹子



Adjustable screw for clamp 1693.1 and 1693.1S



Auto-adjust upgrade set for 1693.1S jaw



Adjustable screw for clamp 1693.1 and 1693.1S



Auto-adjust upgrade set for 1693.1S jaw