

Y hex wrench

1781/2HX

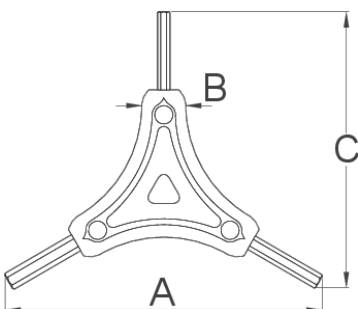


Profiles



Product features

- The plastic-injected handle offers a comfortable and compact grip, which enables efficient working while the high-quality material enables long-term use of the tool.





A

B

C



624028

SALE

2

2,5

3

122

16

106

36

624027

4

5

6

122

16

106

65

* Images of products are symbolic. All dimensions are in mm, and weight in grams. All listed dimensions may vary in tolerance.

Usage (pictures)

