

Double end hand dolly

1923



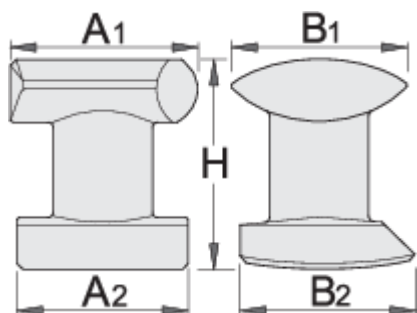
Profielen



[./\(be/support/waranty\).](#)

Product attributen

- material: premium flex plus carbon steel
- head polished: mirror polished



A1

B1

A2

B2

H





A1

B1

A2

B2

H



619219

86

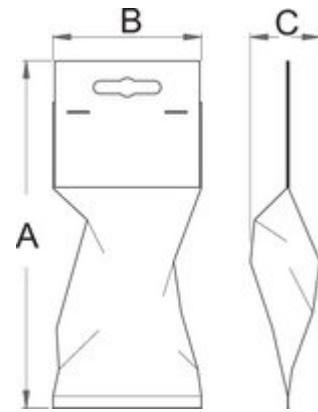
61

61

61.5

74.5

1162



Retail verpakking



MA

MB

MC



619219

205

150

74,5

1232

Transport verpakking



TA

TB

TC



619219

1