

Insulated hex T wrench

220TV

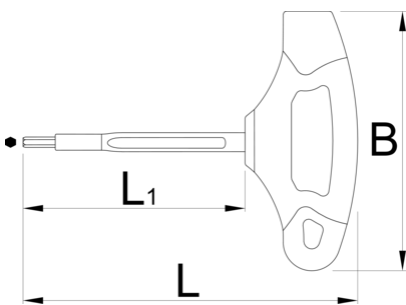


프로파일



제품 특징

- controlled according to standard EN IEC 60900
- made according to standard ISO 2936 and EN IEC 60900:2018



619132



4

L

109.5

L1

75

B

80



43



L

L1

B



619133

5

109.5

75

80

50

619134

6

143

100

100

94

619135

8

143

100

100

123

* Images of products are symbolic. All dimensions are in mm, and weight in grams. All listed dimensions may vary in tolerance.