

Diagonal cutting nippers

461/1VDEDP



Usage



Profiles



Product attributes

- material: premium plus carbon steel
- drop forged, entirely hardened and tempered
- cutting edges induction hardened
- head polished
- surface finish: chrome plated to standard ISO 1456:2009
- made according to standard ISO 5749 and EN 60900

Advantages:

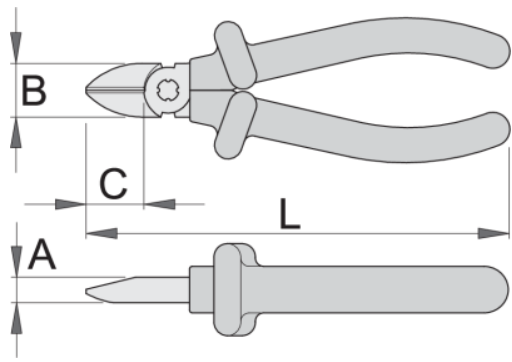
- handles are insulated with double layered - double coloured insulation for additional safety

Important!

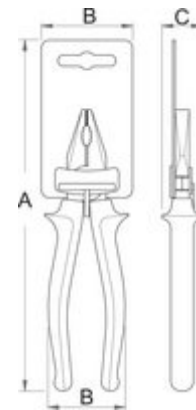
- if second layer is visible, replace your VDE tool with a new one.

Standards

EN60900

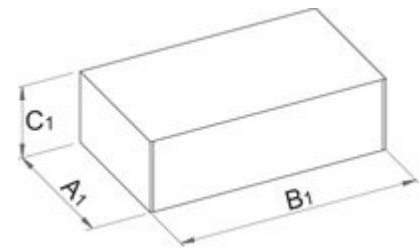


Barcode	L	B	A	C	Icon
619193	140	19	9.5	18	174
619194	160	22.5	10	22	224



Retail packaging

Barcode	MA	MB	MC	Icon
619193	230	65	31	189
619194	230	60	30	237



Transport packaging

Barcode	Hand icon	TA	TB	TC	Icon
619193	4	84	318	63	804
619194	4	104	277	68	1029