

Impact socket 3/4", 6 point

232/4 6p



Profiles

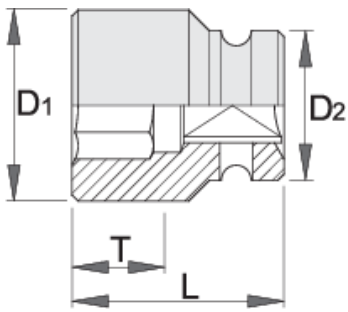


Standards

ISO 2725 - 2

Product features

- material: premium flex chrome vanadium steel
- drop forged, entirely hardened and tempered
- surface finish: phosphated to standard ISO 9717
- made according to standard ISO 2725-2 (only metric dimension)
- made according to standard DIN 3129



Barcode	mm	D1	D2	L	T	Weight
603980	17	31	44	50	12	374
603981	19	33	44	50	13	387
603982	21	35	44	50	15	381
603983	22	37	44	50	15	400
603984	24	39	44	50	16	401
603985	27	43	44	54	19	410
609403	28	44	44	54	19	403
603986	30	47	44	54	21	438
603987	32	51	44	54	22	481
603988	33	51	44	54	22	497
603989	36	54	44	54	23	535
603990	41	60	44	58	27	634
603991	46	67	44	63	30	813

* Images of products are symbolic. All dimensions are in mm, and weight in grams. All listed dimensions may vary in tolerance.

Safety (pictures)

