

Impact socket 1", 6 point

233/4 6p



프로파일

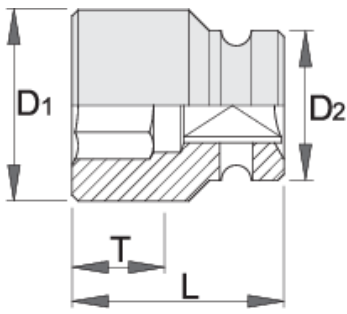





표준

DIN 3129, ISO 2725 - 2

제품 특징

- material: premium flex chrome vanadium steel
- drop forged, entirely hardened and tempered
- surface finish: phosphated to standard ISO 9717
- made according to standard ISO 2725-2 (only metric dimension)



		D1	D2	L	T	
615195	22	40	54	60	15	677
615196	24	42	54	60	18	679
615197	27	46	54	60	19	694
615198	30	50	54	62	21	726
615199	32	52	54	62	22	704
615200	33	53	54	62	22	703
615201	34	55	54	62	22	688
615202	36	57	54	67	25	785
615203	38	60	54	67	25	844
615204	41	63	54	70	27	933
615205	42	65	54	74	27	1055
615206	46	70	54	76	30	1174
615207	50	75	54	80	35	1367
615208	55	81	54	84	35	1632
615209	60	87	54	87	42	1715
615210	65	93	54	90	42	1962
615211	70	100	54	96	42	2370
615212	75	106	86	98	45	3364
615213	80	112	86	100	48	3656

* Images of products are symbolic. All dimensions are in mm, and weight in grams. All listed dimensions may vary in tolerance.

안전 (사진)

