

Wall or bench mount clamp, manually adjustable

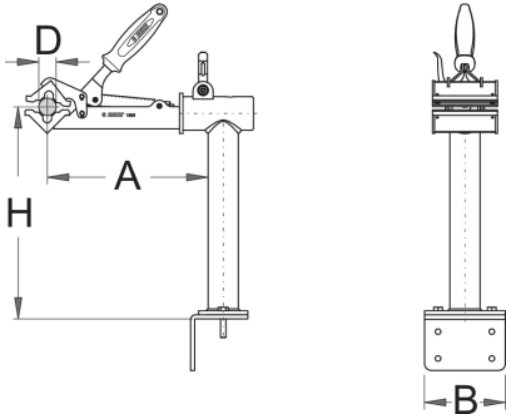
1693.2S



Product attributes

- Bench or wall mount option.
- Intended for professional and home workshops.
- Suitable for tubes with diameter of min. Ø24 mm and max. Ø40 mm.
- Easy accessible screw enables us, to modify the jaw opening and pressure when closed. The screw

can be turned with hand, without use of any wrench.



Barcode	D↓	D↑	B	A	H	Icon
623225	24	38	120	239	313	4550

Retail packaging

Barcode	MA	MB	MC	Icon
623225	210	420	145	4020

Transport packaging

Barcode	Icon	TA	TB	TC	Icon
623225	1	210	420	145	4020