

# Universal variation holder tool

3057.1/2



## Usage

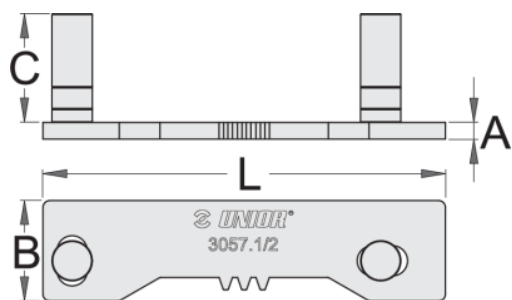


## Product attributes

- material: premium plus carbon steel
- surface finish: chrome plated to standard ISO 1456:2009

## Usage:

- it is used as a block for the gear on the starter when untightening the front part of the drive
- for scooters PIAGGIO, GILERA 50-125ccm; water- and air-cooled



623188

MA

220

MB

80

C

32,5

L

120



150



## Retail packaging

Barcode	MA	MB	MC	Icon
623188	220	80	12,3	160

## Transport packaging

Barcode	Icon	TA	TB	TC	Icon
623188	1				