

Impact socket 1.1/2", 6 point

234/4 6p



Profiles

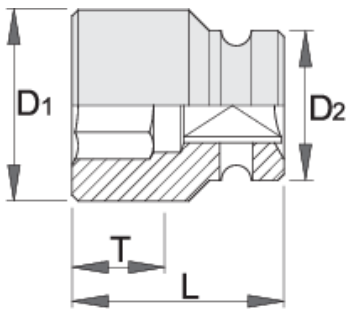






Standards

DIN 3129, ISO 2725 - 2

Product features

- material: premium flex chrome vanadium steel
- drop forged, entirely hardened and tempered
- surface finish: phosphated to standard ISO 9717
- made according to standard ISO 2725-2



|  |  | D1 | D2 | L | T |  |  |
|--|---|-----|----|-----|----|---|---|
| 616790 | 80 | 119 | 86 | 115 | 54 | 5224 | |
| 616791 | 85 | 125 | 86 | 118 | 52 | 5688 | |
| 616793 | 90 | 131 | 86 | 123 | 52 | 6395 | |
| 616794 | 95 | 137 | 95 | 123 | 52 | 6995 | |
| 616796 | 105 | 154 | 95 | 130 | 59 | 8995 | |

* Images of products are symbolic. All dimensions are in mm, and weight is in grams. All listed dimensions may vary in tolerance.

Safety (pictures)

