

Impact socket 1.1/2", 6 point

234/4 6p



Profiles

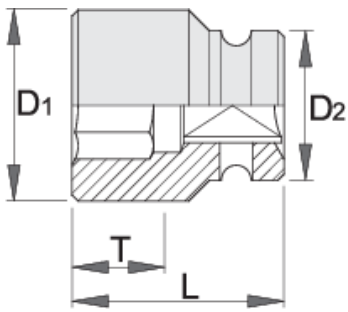



Standards

DIN 3129, ISO 2725 - 2

Product features

- material: premium flex chrome vanadium steel
- drop forged, entirely hardened and tempered
- surface finish: phosphated to standard ISO 9717
- made according to standard ISO 2725-2 (only metric dimension)



		D1	D2	L	T	
616790	80	119	86	115	54	5224
616791	85	125	86	118	52	5688
616793	90	131	86	123	52	6395
616794	95	137	95	123	52	6995
616795	100	144	95	130	59	7995
616796	105	154	95	130	59	8995

* Images of products are symbolic. All dimensions are in mm, and weight in grams. All listed dimensions may vary in tolerance.

Safety (pictures)

