

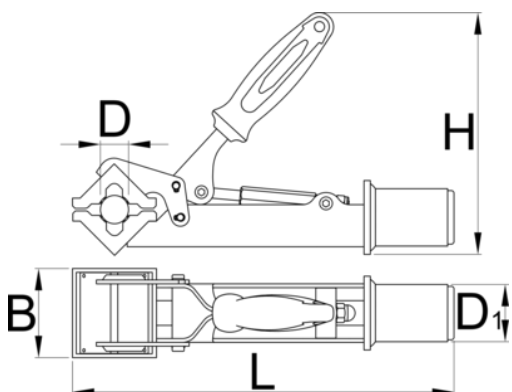
# Pro repair clamp, manually adjustable

1693.1S



## Product attributes

- Suitable for tubes with diameter of min. Ø24 mm and max. Ø40 mm.
- Easy accessible screw enables us, to modify the jaw opening and pressure when closed. The screw can be turned by hand without use of any wrench.





623206	24	38	70	192	305	1835
--------	----	----	----	-----	-----	------

### Retail packaging

	MA	MB	MC	
--	----	----	----	---

623206	98	305	197	2000
--------	----	-----	-----	------

### Transport packaging

		TA	TB	TC	
--	---	----	----	----	---

623206	1				
--------	---	--	--	--	--

### Spare parts



Adjustable screw for clamp 1693.1 and 1693.1S



Replaceable rubber covers for clamp 1693.1, 2 pcs set