

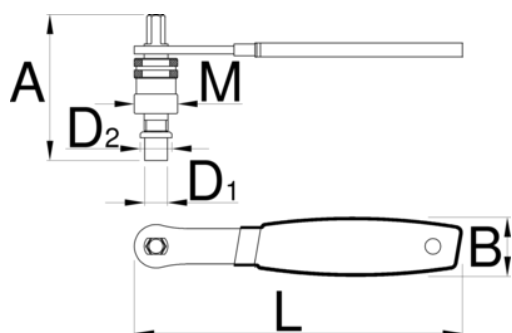
Crank puller with handle

1661.3/4DP



Product attributes

- The crank puller is used for removing Shimano Octalink and ISIS cranks as well as for standard square spindle cranks. A strong handle enables quick and easy use. The product enables optimal efficiency and is suitable for both professionals and home users.



623088

D1

11,5

D2

16

M

M22 x 1

A

75

B

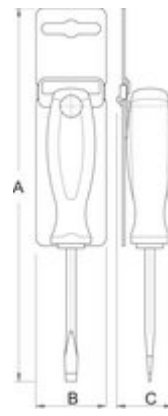
24

L

165

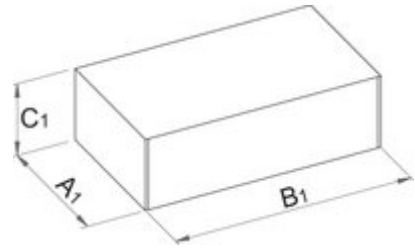


206



Retail packaging

Barcode	MA	MB	MC	Icon
623088	212	44	75	212



Transport packaging

Barcode	Hand icon	TA	TB	TC	Icon
623088	4	84	288	52	910